

# 127×32 mm

San Ace B127 9BJ type   



## General Specifications

- Material ..... Frame: Plastic (Flammability: UL 94V-0), Impeller: Plastic (Flammability: UL 94V-1)
- Expected life ..... See the table below. (L10 life: 90% survival rate for continuous operation in free air at 60°C, rated voltage)
- Motor protection function ..... Locked rotor burnout protection, Reverse polarity protection  
For details, please refer to p. 547.
- Dielectric strength ..... 50/60 Hz, 500 VAC, for 1 minute (between lead wire conductors and frame)
- Insulation resistance ..... 10 MΩ or more with a 500 VDC megger (between lead wire conductors and frame)
- Sound pressure level (SPL) ..... At 1 m away from the air inlet
- Storage temperature ..... -30 to +70°C (Non-condensing)
- Lead wire ..... ⊕Red ⊖Black or Blue (Sensor) Yellow
- Mass ..... 290 g

## Specifications

The models listed below **have pulse sensors**.

Model no.	Rated voltage [V]	Operating voltage range [V]	Rated current [A]	Rated input [W]	Rated speed [min <sup>-1</sup> ]	Max. airflow [m <sup>3</sup> /min] [CFM]	Max. static pressure [Pa] [inchH <sub>2</sub> O]	SPL [dB (A)]	Operating temperature [°C]	Expected life [h]
<b>109BJ12HC2</b>	12	10.2 to 13.8	0.52	6.24	2400	0.78 27.5	205.8 0.826	46	-20 to +70	40000/60°C
<b>109BJ12MC2</b>			0.29	3.48	1900	0.61 21.5	109.8 0.441	40		
<b>109BJ24HC2</b>	24	20.4 to 27.6	0.26	6.24	2400	0.78 27.5	205.8 0.826	46	-20 to +60	
<b>109BJ24MC2</b>			0.15	3.6	1900	0.61 21.5	109.8 0.441	40		

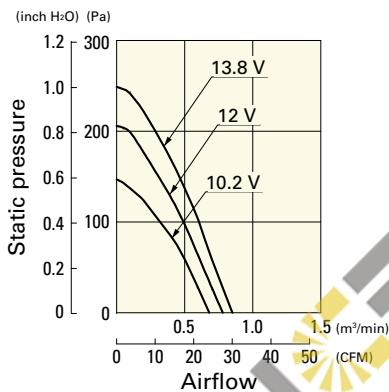
The following sensor and control options are available for selection.

Available for all models. Without sensor Lock sensor

## Airflow - Static Pressure Characteristics

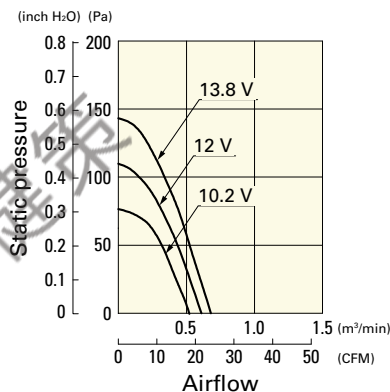
**109BJ12HC2** With pulse sensor

Operating voltage range



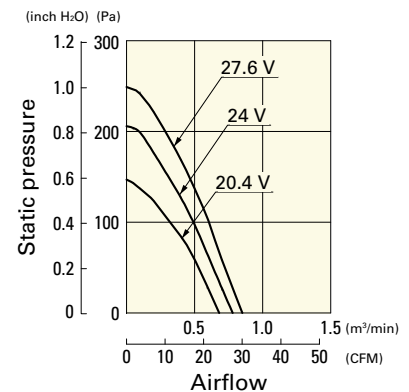
**109BJ12MC2** With pulse sensor

Operating voltage range



**109BJ24HC2** With pulse sensor

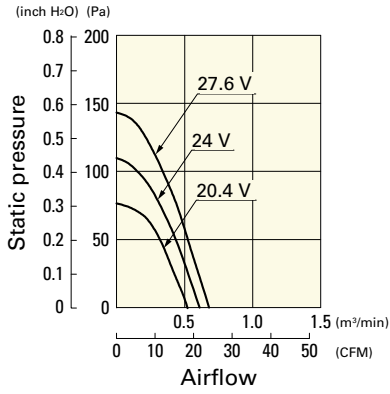
Operating voltage range



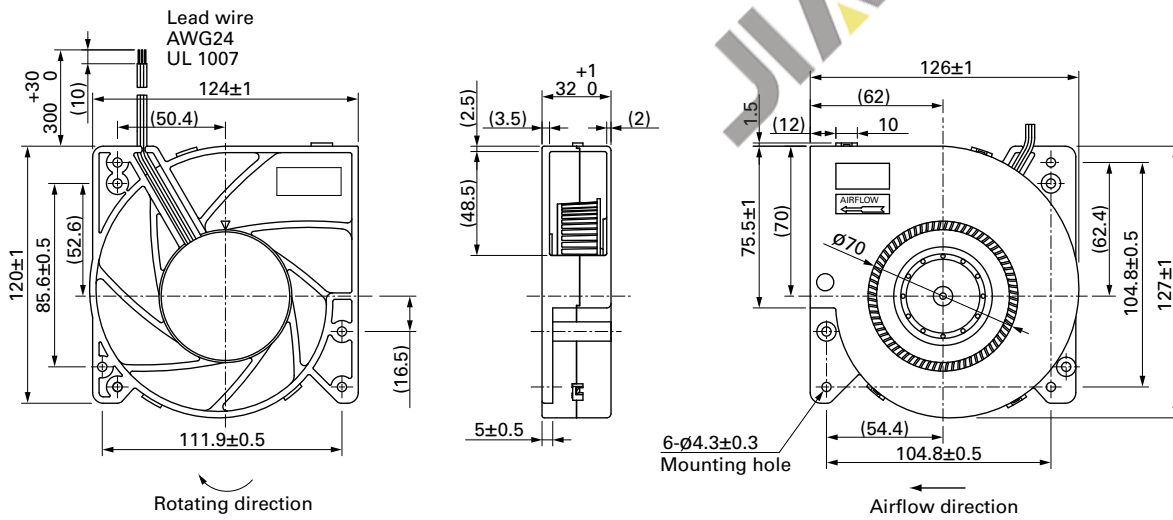
## Airflow - Static Pressure Characteristics

**109BJ24MC2** With pulse sensor

Operating voltage range



## Dimensions (unit: mm)



# Mouser Electronics

Authorized Distributor

Click to View Pricing, Inventory, Delivery & Lifecycle Information:

## Sanyo Denki:

[109BJ12HA2](#) [109BJ12HC2](#) [109BJ12HD2](#) [109BJ12MA2](#) [109BJ12MC2](#) [109BJ12MD2](#) [109BJ24HA2](#) [109BJ24HC2](#)  
[109BJ24HD2](#) [109BJ24MA2](#) [109BJ24MC2](#) [109BJ24MD2](#)



**JIAN 健策**  
0755—23706799

