

# San Ace 40 9RA type DC Fan

## Features

### Low Noise

Compared with our current model, <sup>(1)</sup> noise level has been reduced by 2 dB(A).

### Low Power Consumption

Compared with our current model, <sup>(2)</sup> power consumption has been reduced by approximately 58%. <sup>(3)</sup>

(1) Current model: 40 x 40 x 15 mm San Ace 40 9P type DC Fan

(2) Current model: 40 x 40 x 15 mm San Ace 40 9P type DC Fan (Model no. 109P0412M701)

(3) Measured on model 9RA0412M7001.



## 40 x 40 x 15 mm

## Specifications

The models listed below **have ribs and pulse sensors.**

Model no.	Rated voltage [V]	Operating voltage range [V]	Rated current [A]	Rated input [W]	Rated speed [min <sup>-1</sup> ]	Max. airflow [m <sup>3</sup> /min] [CFM]	Max. static pressure [Pa] [inchH <sub>2</sub> O]	SPL [dB(A)]	Operating temperature [°C]	Expected life [h]
9RA0405H7001	5	4.5 to 5.5	0.13	0.65	7700	0.18 6.3	66 0.264	26	-20 to +70	60000/60°C (90000/40°C)
9RA0405M7001			0.10	0.50	6600	0.15 5.3	49 0.196	22		
9RA0412S7001	12	7 to 13.8	0.08	0.96	9600	0.23 8.1	102 0.408	32		
9RA0412H7001			0.06	0.72	7700	0.18 6.3	66 0.264	26		
9RA0412M7001			0.04	0.48	6600	0.15 5.3	49 0.196	22		
9RA0424S7001			24	20.4 to 27.6	0.04	0.96	9600	0.23 8.1		
9RA0424H7001	0.03	0.72			7700	0.18 6.3	66 0.264	26		

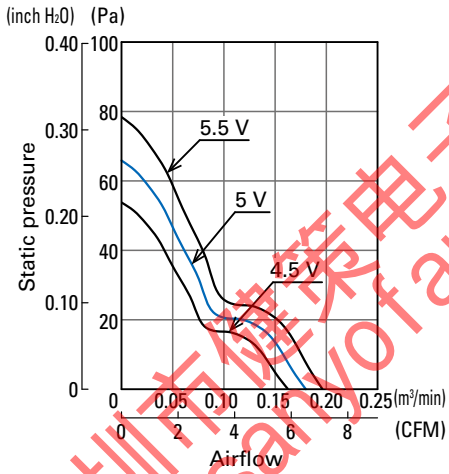
Models with the following sensor specifications are also available as options: **Without sensor** **Lock sensor**

## Common Specifications

- Material ..... Frame: Plastic (Flammability: UL 94V-0), Impeller: Plastic (Flammability: UL 94V-0)
- Expected life ..... Refer to specifications  
(L10 life: 90% survival rate for continuous operation in free air at 60°C, rated voltage)  
Expected life at 40°C is for reference only.
- Motor protection function ..... Locked rotor burnout protection, Reverse polarity protection
- Dielectric strength ..... 50/60 Hz, 500 VAC, for 1 minute (between lead wire conductors and frame)
- Insulation resistance ..... 10 MΩ min. at 500 VDC (between lead wire conductors and frame)
- Sound pressure level (SPL) ..... A-weighted sound pressure level (SPL) at 1 m away from the air inlet.
- Operating temperature ..... Refer to specifications (Non-condensing)
- Storage temperature ..... -30 to +70°C (Non-condensing)
- Lead wire ..... ⊕ Red ⊖ Black Sensor Yellow
- Mass ..... 28 g

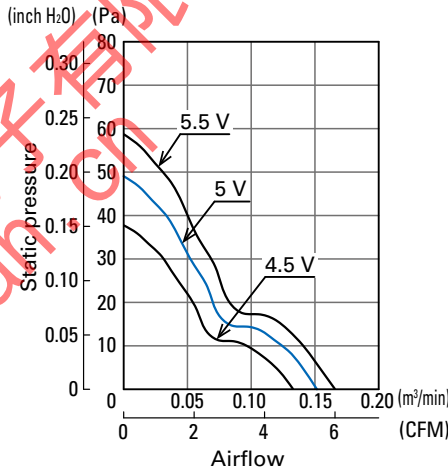
## Airflow - Static Pressure Characteristics

Operating voltage range



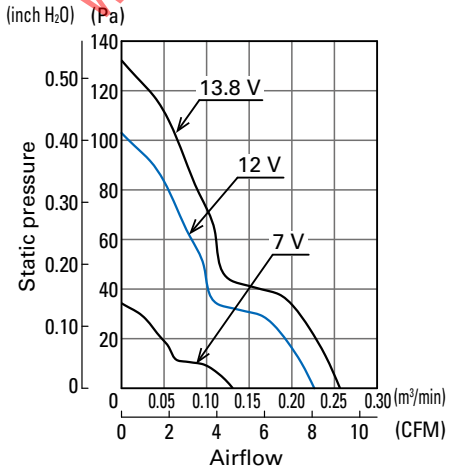
9RA0405H7001

Operating voltage range



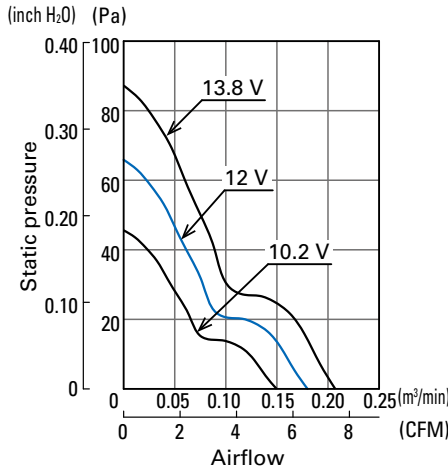
9RA0405M7001

Operating voltage range



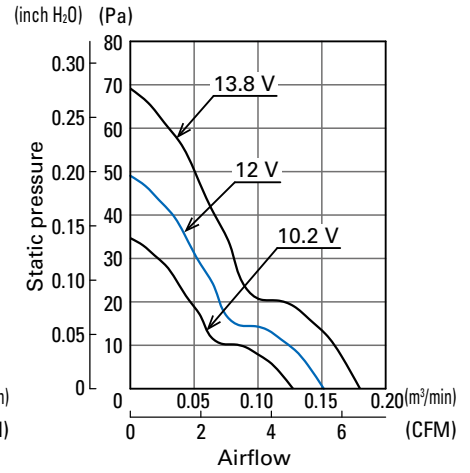
9RA0412S7001

Operating voltage range



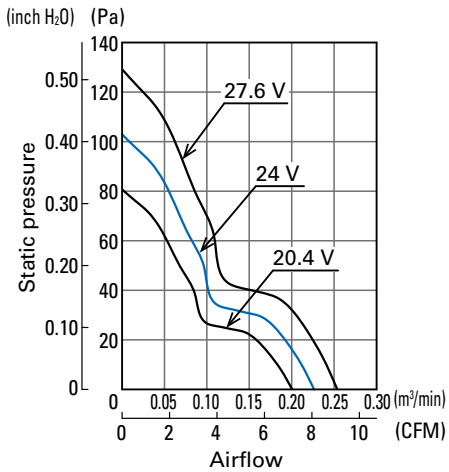
9RA0412H7001

Operating voltage range



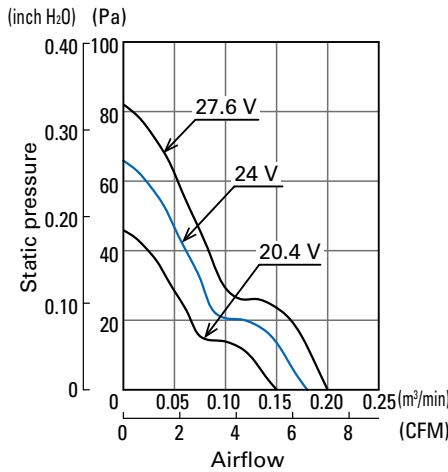
9RA0412M7001

Operating voltage range



9RA0424S7001

Operating voltage range

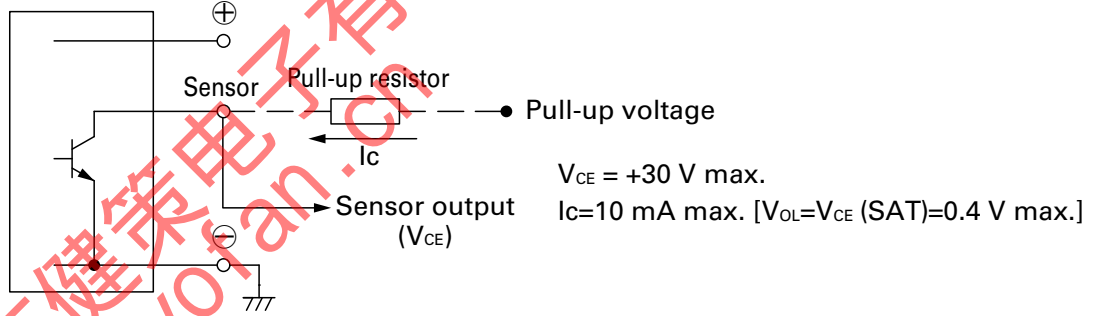


9RA0424H7001

■ Specifications for Pulse Sensors

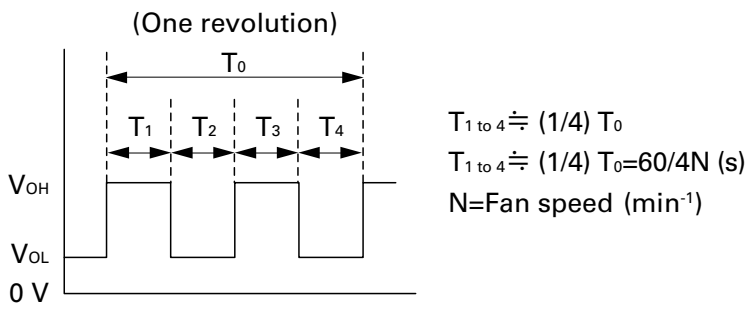
Output circuit: Open collector

Inside of DC fan

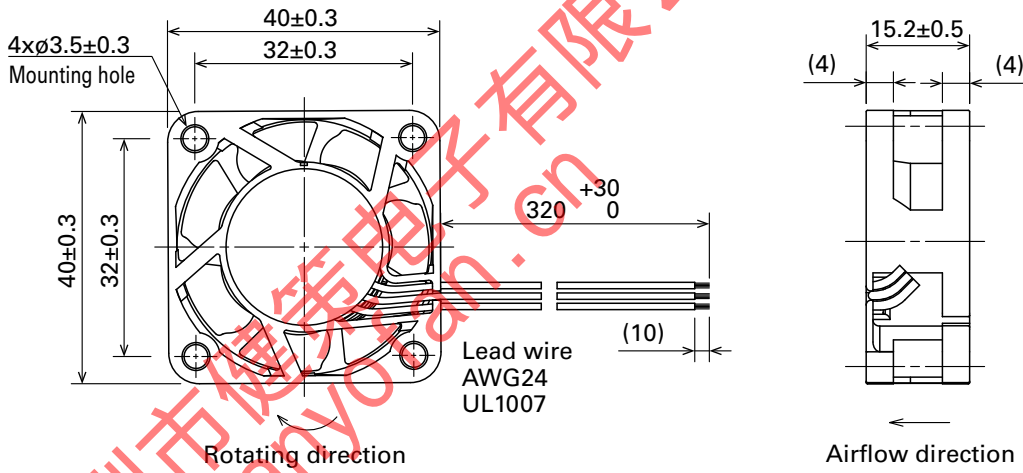


Output waveform (Need pull-up resistor)

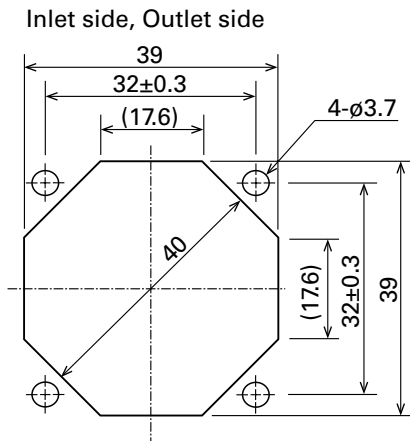
In case of steady running



**Dimensions** (unit: mm)



**Reference Dimensions of Mounting Holes and Vent Opening** (unit: mm)



**Options**

Finger guards

Model no.: 109-059, 109-059H