

San Ace 52 9RA type

DC Fan

Features

Low Noise

Compared with our current models,⁽¹⁾ noise level has been reduced by 6 dB(A).⁽²⁾

Low Power Consumption

Compared with our current model,⁽³⁾ power consumption has been reduced by approximately 60%.⁽⁴⁾

(1) Current model: 52 x 52 x 15 mm San Ace 52 9P type DC Fan (Model nos. 109P0505M701, 109P0512H701).

(2) Measured on models 9RA0505M7001 and 9RA0512H7001.

(3) Current model: 52 x 52 x 15 mm San Ace 52 9P type DC Fan (Model no. 109P0505M701)

(4) Measured on model 9RA0505M7001.



52 x 52 x 15 mm

Specifications

The models listed below **have ribs and pulse sensors**.

Model no.	Rated voltage [V]	Operating voltage range [V]	Rated current [A]	Rated input [W]	Rated speed [min ⁻¹]	Max. airflow [m ³ /min] [CFM]	Max. static pressure [Pa] [inchH ₂ O]	SPL [dB(A)]	Operating temperature [°C]	Expected life [h]
9RA0505M7001	5	4.5 to 5.5	0.06	0.30	3350	0.22 7.7	21 0.084	16	-20 to +70	60000/60°C (90000/40°C)
9RA0512S7001	12	7 to 13.8	0.083	1.00	6250	0.41 14.4	61 0.244	31		
9RA0512H7001			0.043	0.52	4250	0.28 9.8	32 0.128	21		
9RA0524S7001	24	20.4 to 27.6	0.042	1.00	6250	0.41 14.4	61 0.244	31		
9RA0524H7001			0.022	0.53	4250	0.28 9.8	32 0.128	21		

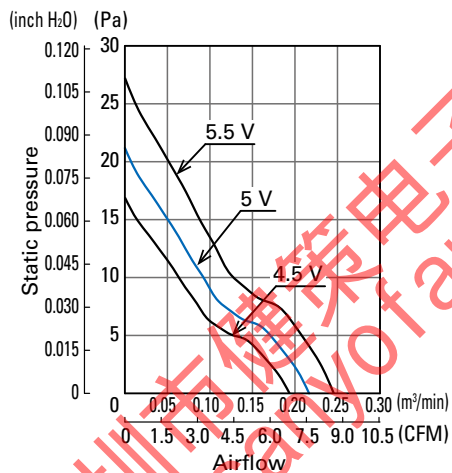
Models with the following sensor specifications are also available as options: **Without sensor** **Lock sensor**

Common Specifications

- Material Frame: Plastic (Flammability: UL 94V-0), Impeller: Plastic (Flammability: UL 94V-0)
- Expected life Refer to specifications
(L10 life: 90% survival rate for continuous operation in free air at 60°C, rated voltage)
Expected life at 40°C is for reference only.
- Motor protection function Locked rotor burnout protection, Reverse polarity protection
- Dielectric strength 50/60 Hz, 500 VAC, for 1 minute (between lead wire conductors and frame)
- Insulation resistance 10 MΩ min. at 500 VDC (between lead wire conductors and frame)
- Sound pressure level (SPL) A-weighted sound pressure level (SPL) at 1 m away from the air inlet.
- Operating temperature Refer to specifications (Non-condensing)
- Storage temperature -30 to +70°C (Non-condensing)
- Lead wire ⊕ Red ⊖ Black (Sensor) Yellow
- Mass 33 g

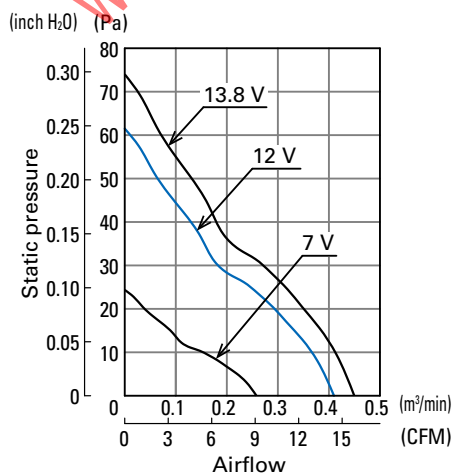
Airflow - Static Pressure Characteristics

Operating voltage range



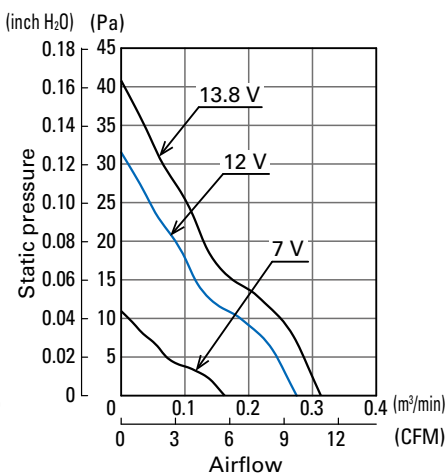
9RA0505M7001

Operating voltage range



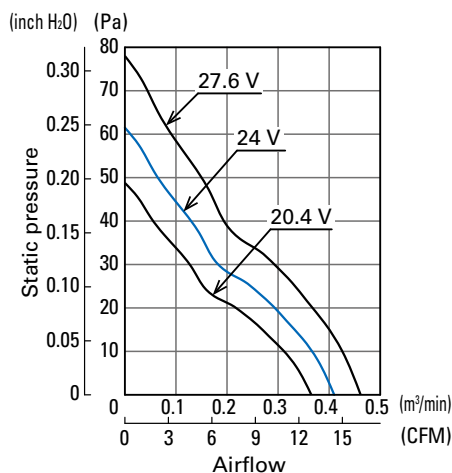
9RA0512S7001

Operating voltage range



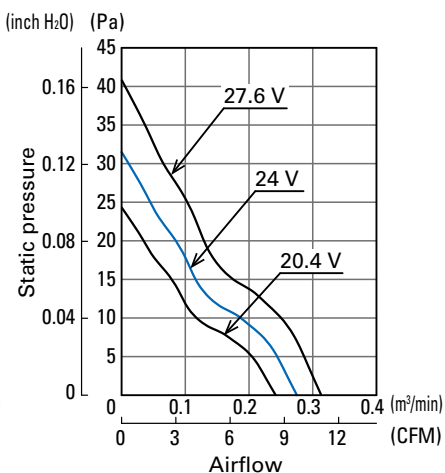
9RA0512H7001

Operating voltage range



9RA0524S7001

Operating voltage range

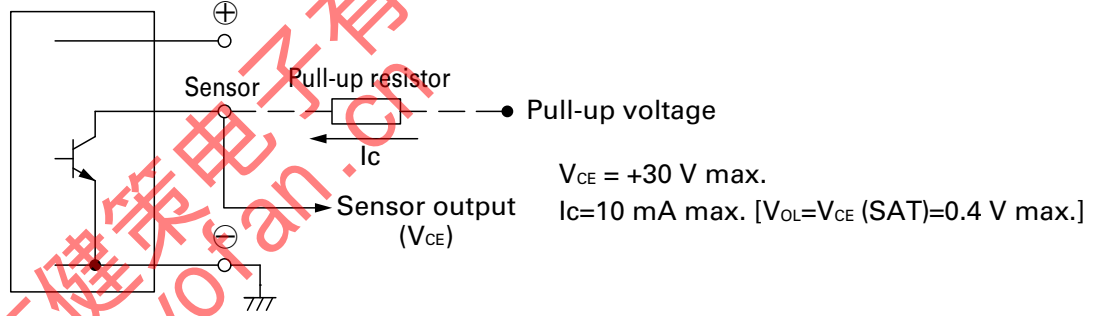


9RA0524H7001

■ Specifications for Pulse Sensors

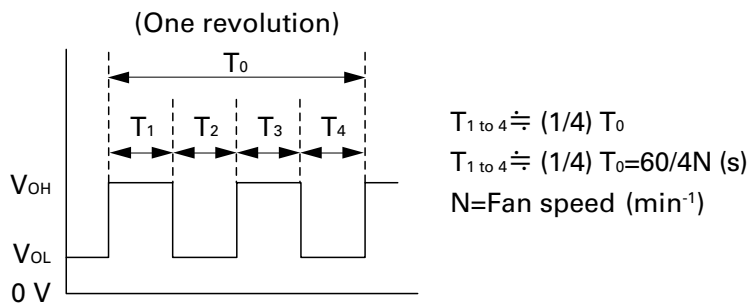
Output circuit: Open collector

Inside of DC fan

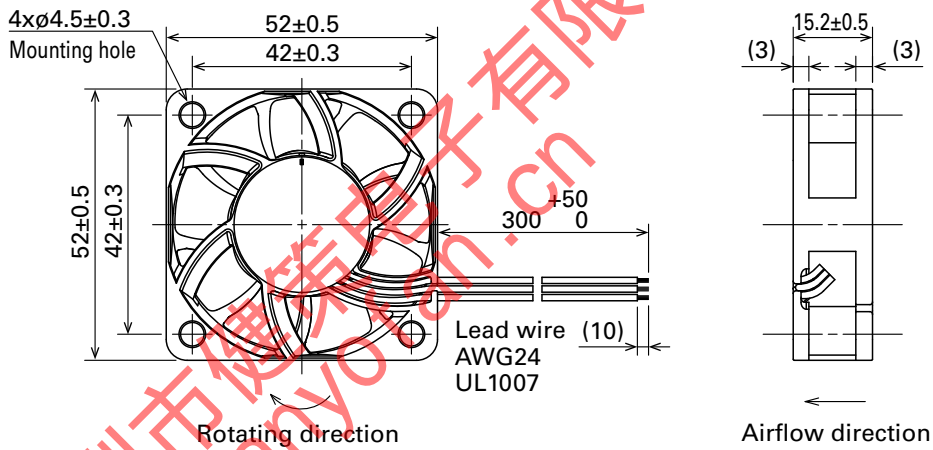


Output waveform (Need pull-up resistor)

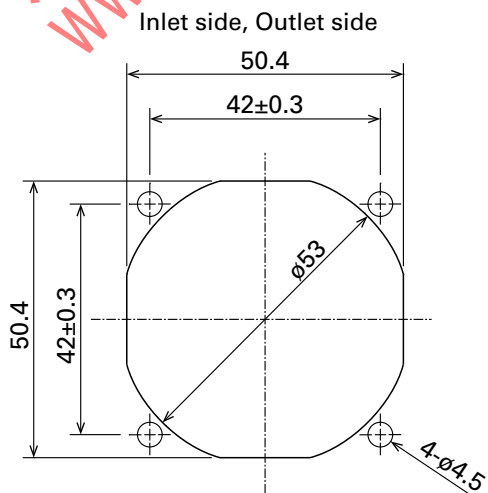
In case of steady running



Dimensions (unit: mm)



Reference Dimensions of Mounting Holes and Vent Opening (unit: mm)



Options

Finger guards

Model no.: 109-1156